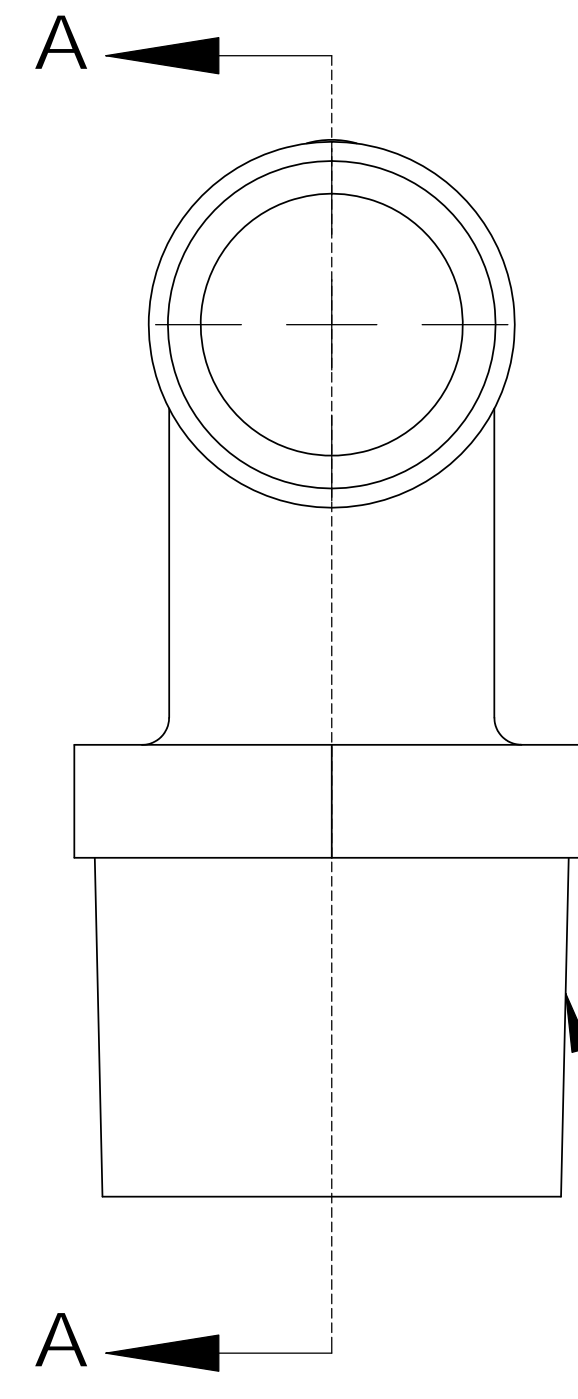
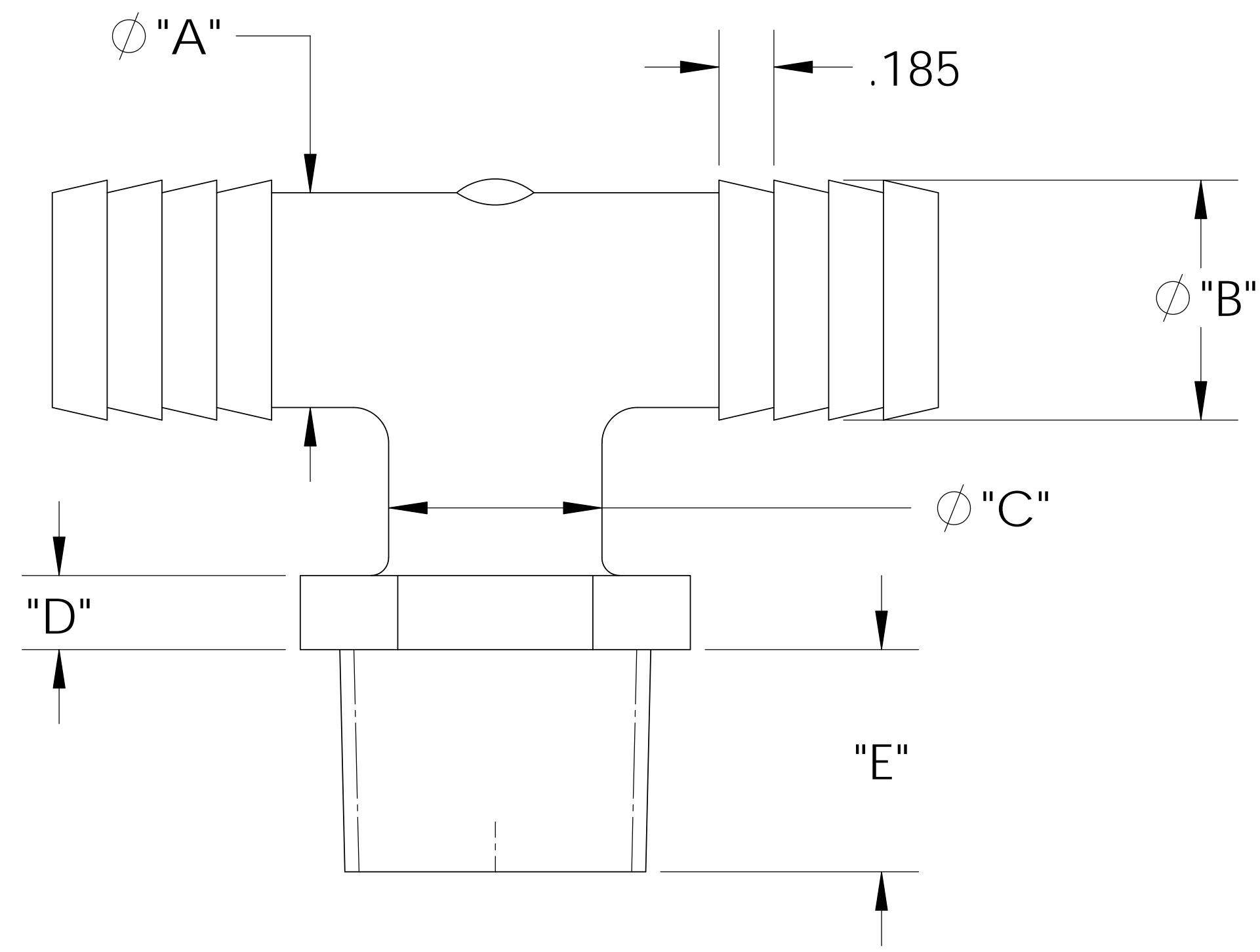
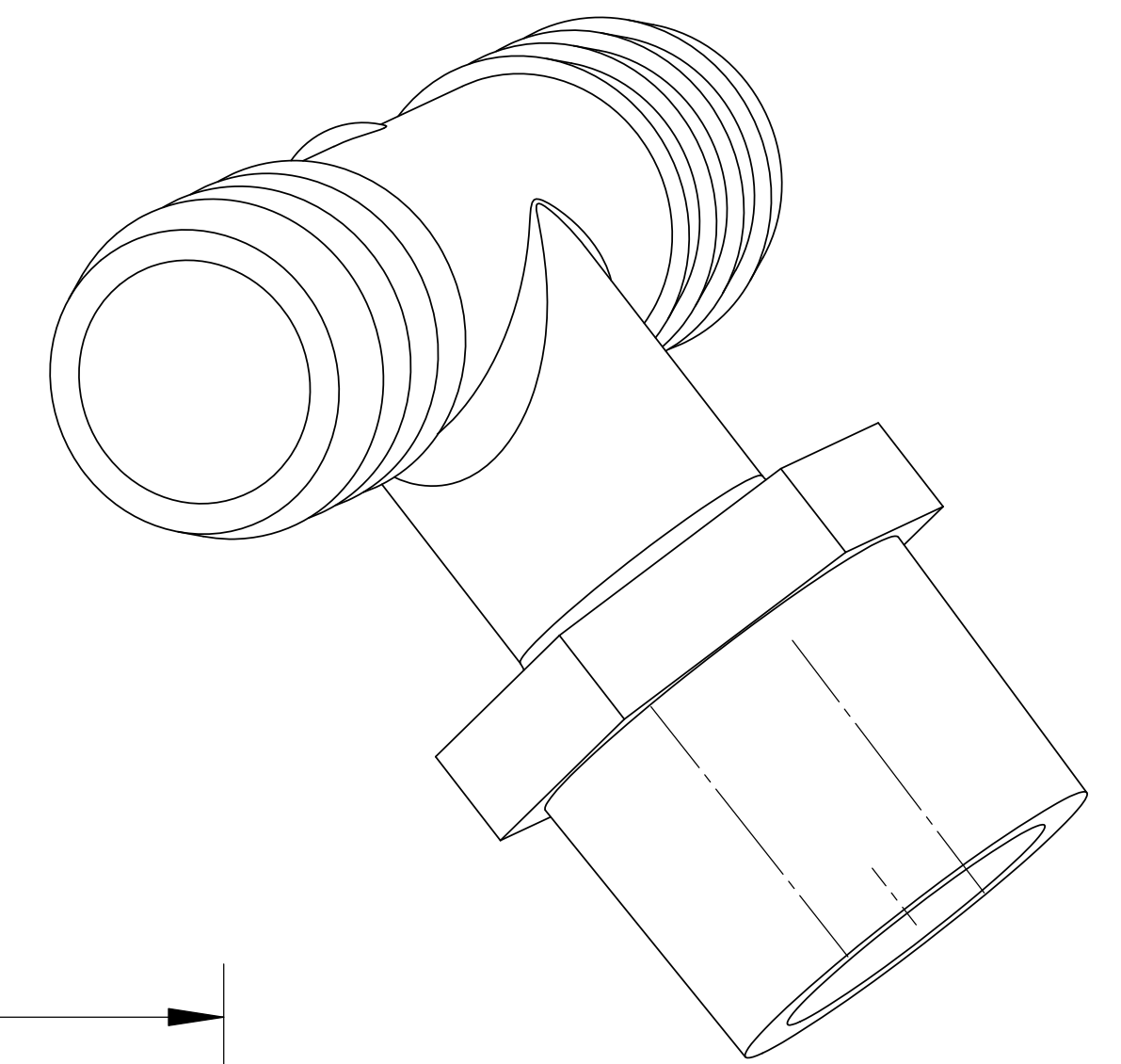


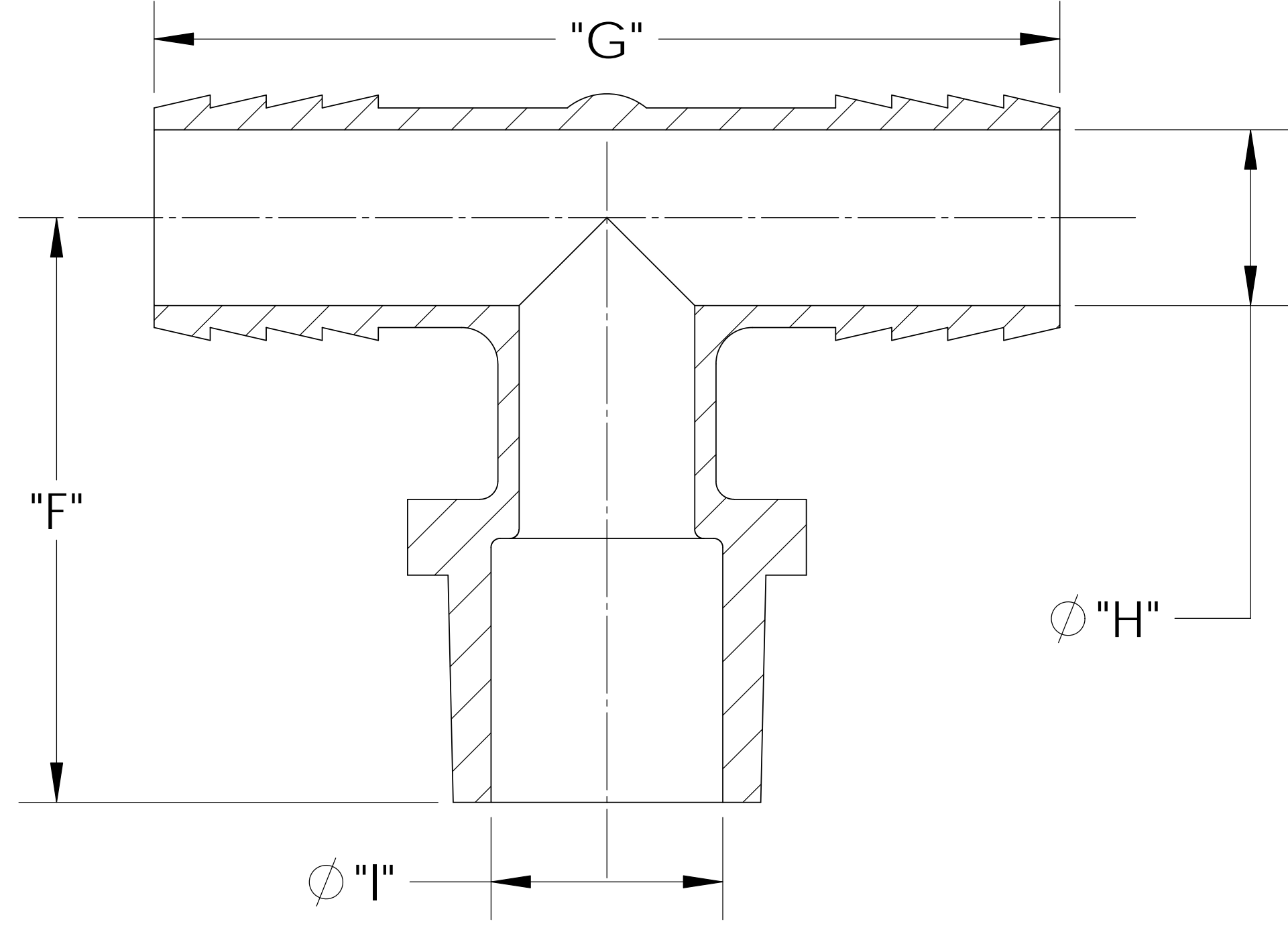
8 7 6 5 4 3 2 1

D  
C  
B  
A

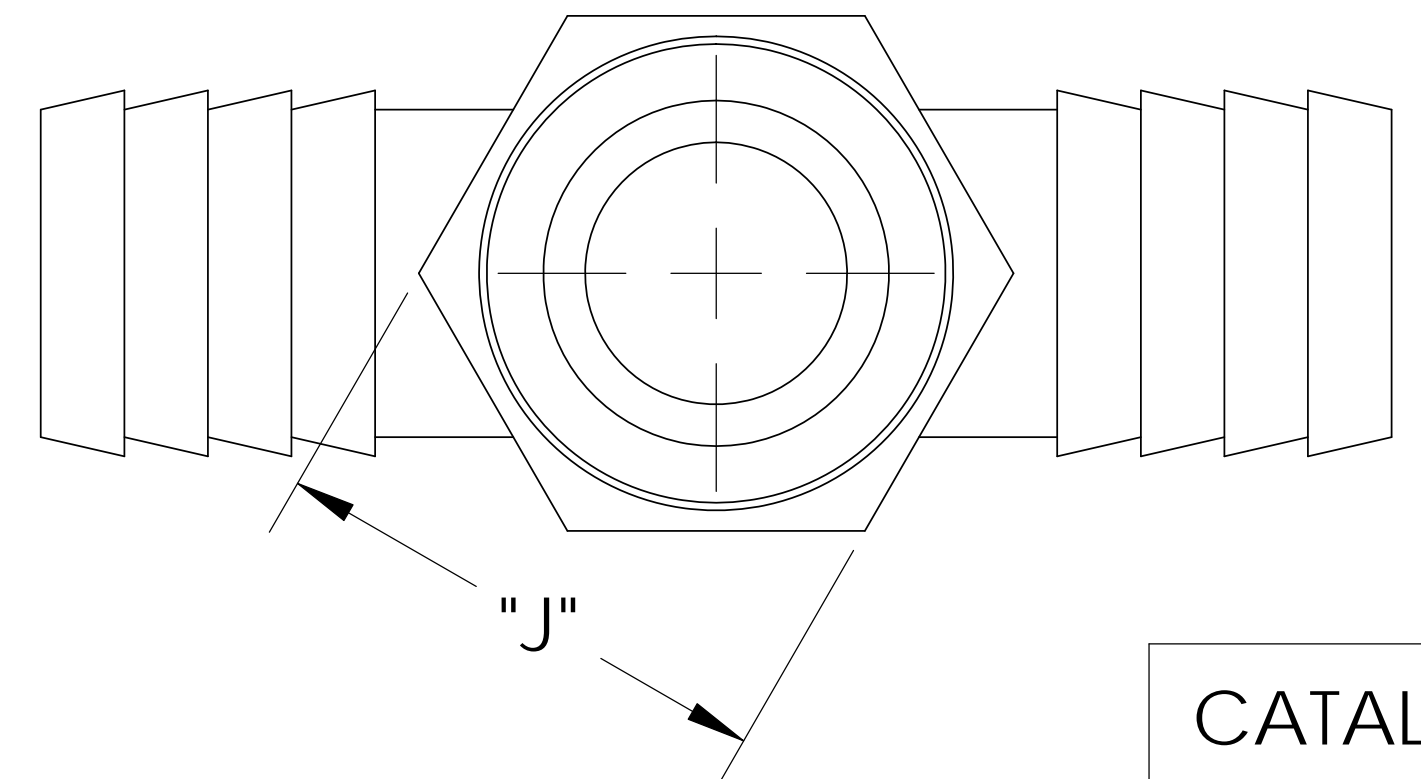
D  
C  
B  
A



MALE 3/4"-14 NPT



SECTION A-A



SHOWN

CATALOG NO.	DESCRIPTION	MATERIAL	DIM "A"	DIM "B"	DIM "C"	DIM "D"	DIM "E"	DIM "F"	DIM "G"	DIM "H"	DIM "I"	DIM "J"
TT3121212/PP	3/4" X 3/4" X 3/4" PP	POLYPROPYLENE	.715	.800	.715	.25	.74	1.91	2.95	.570	.755	1.12
TT3121212/P	3/4" X 3/4" X 3/4" P	POLYETHYLENE	.715	.795	.715	.24	.70	1.92	2.94	.565	.750	1.10
TT3121212/N	3/4" X 3/4" X 3/4" N	NYLON	.725	.810	.720	.25	.75	1.93	2.99	.580	.765	1.14

NOTES:

- 1) POLYPROPYLENE HAS COLOR OPTIONS:  
 BLACK = TT3121212/PPB  
 NATURAL = TT3121212/PPN

**PROPRIETARY AND CONFIDENTIAL**  
 THE INFORMATION CONTAINED IN THIS DRAWING IS THE SOLE PROPERTY OF THOGUS PRODUCTS COMPANY. ANY REPRODUCTION IN PART OR AS A WHOLE WITHOUT THE WRITTEN PERMISSION OF THOGUS PRODUCTS COMPANY IS PROHIBITED.

REV	WRO#	DESCRIPTION
C	95.00132	CONVERTED TO 3D FORMAT

UNLESS OTHERWISE SPECIFIED:  
 DIMENSIONS ARE IN INCHES  
 TOLERANCES:  
 ANGULAR: ±0.5°  
 X.X = ± 0.1  
 X.XX = ± 0.05  
 X.XXX = ± 0.015  
 REMOVE ALL SHARP EDGES AND BURRS  
 BLEND ALL RADII TO 0.01IN  
 INTERPRET GEOMETRIC TOLERANCING PER: ANSI Y 14.5 1994  
 MATERIAL: PP, P, N  
 FINISH: NA  
 THIRD ANGLE PROJECTION:

	NAME	DATE
DRAWN	JRM	05/25/11
CHECKED	KDJ	05/25/11
ENG APPR.		XX/XX/XX
MFG APPR.		XX/XX/XX
Q.A.		XX/XX/XX

**Thogus** You think it, we can make it...  
 33490 PIN OAK, AVON LAKE, OH 44012

**TITLE:**  
 3/4" NPT X 3/4" BARB X 3/4" BARB TEE

SIZE <b>B</b>	DWG. NO. TT3121212	REV <b>C</b>
SCALE: 1:1	MASS:	SHEET 1 OF 1

8 7 6 5 4 3 2 1